

OPERATING INSTRUCTION

Doorstation **BVD-403x** is intended for operation within **VIZIT** doorphones / video doorphones (Series Comfort).

The following models are available:

- **BVD-403A** - doorstation to connect 1 apartment handset **UKP**
- **BVD-403CPL** - video doorstation with colour camera to connect 1 video monitor

Abbreviations used in the model names:

- A** - No camera
- C** - Colour camera
- P** - Pinhole lens
- L** - Illumination for camera

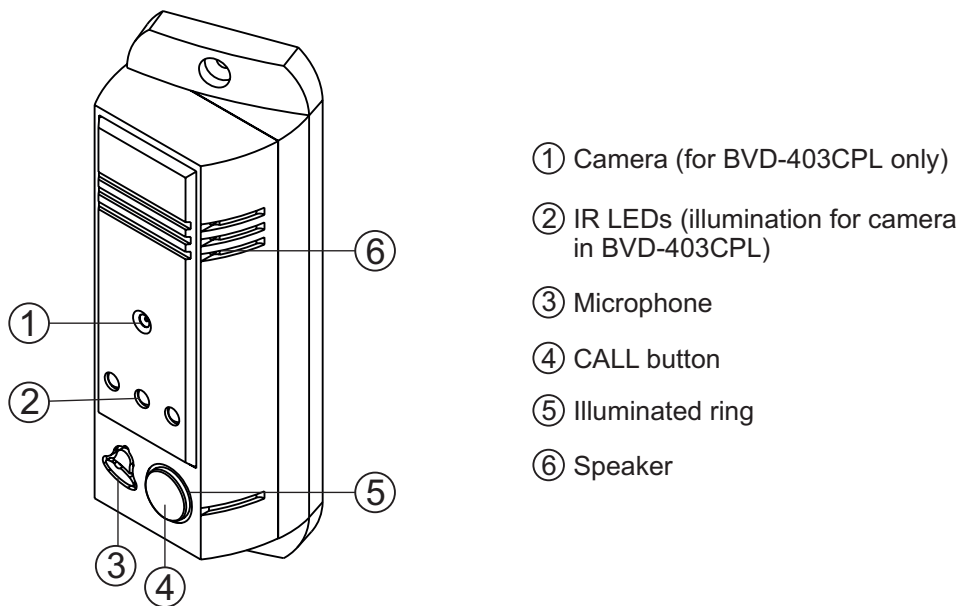



Figure 1 - Doorstation BVD-403x

FEATURES

- Illuminated CALL button
- Beep in the doorstation and monitor / apartment handset when the CALL button is pressed
- Duplex intercom
- Door zone video monitoring (**BVD-403CPL**)
- Remote door unlocking by pressing the  button on the monitor / apartment handset during intercom
- Beeps to indicate door lock release
- IR illumination for the camera (**BVD-403CPL**)

Subscriber devices are **VIZIT®** trademarked products:

- apartment handsets **UKP**
- video monitors **VIZIT-M** of Series 400

SAFETY INSTRUCTIONS

The product does not contain voltage above **25 V**.

Do not make any connections or repair, when the power is on.

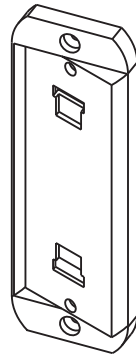
Take care not to spill any liquids or chemically active substances on the product. Switch the power off before cleaning the product. Clean by wiping with dry soft cloth. Do not use any liquid cleaners, aerosol cleaners or abrasive agents.

PARTS LIST



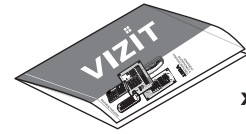
x 1

BVD-403x



x 1

Skew Base



x 1

Operating Instruction


Fasteners

for doorstation BVD-403x and skew base

 x 2
Screw M4x16

 x 4
Gag

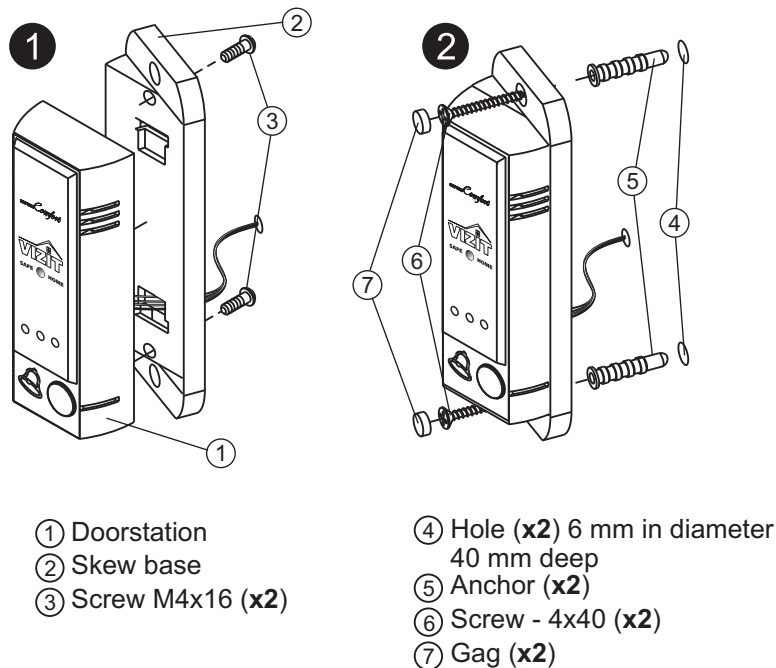
 x 2
Screw - 4x40

 x 2
Anchor 6x40

INSTALLATION ORDER

For qualified installation, wiring and servicing refer to technical and commercial partners of VIZIT TM. The list of companies is given on VIZIT.EU (<http://vizit.eu/eurounion/>).

The doorstation is mounted on a wall near your entrance door. The skew base provides 20° turn, and allows either left-side or right-side mounting. To protect the doorstation against the sun, rain or snow, installation of specially designed Mounting Kit MK-405 is recommended. Installation order of the doorstation together with its sun/rain shield is described in the Mounting Kit MK-405 installation manual.



Fasteners are supplied.

Figure 2 - Doorstation wall-mounting on the left from the entrance door

Mounting on the right from the entrance door is performed in the same manner.

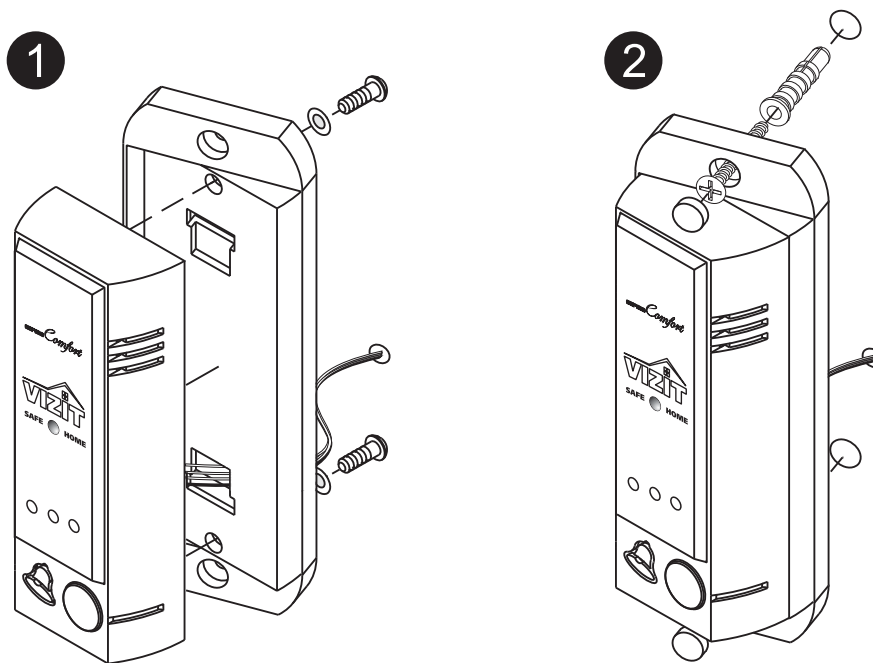
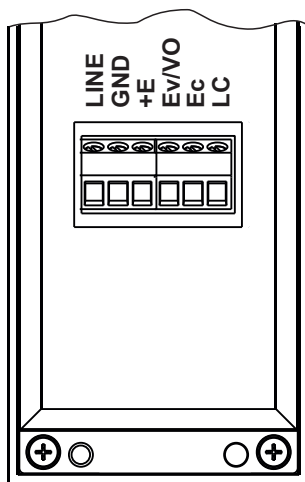


Figure 3 - Doorstation wall-mounting on the right from the entrance door



- LINE** - Intercom line
- GND** - Ground
- +E** - Supply voltage for Doorstation
- VO** - Video out (for BVD-403CPL)
- Ev** - Supply Voltage for outdoor camera (for BVD-403A)
- Ec** - Supply voltage for built-in camera
- LC** - Lock control

Figure 4 - Terminals layout and marking

Locate the doorstation so as to avoid:

- direct rays of the sun or other sources of light;
- direct hit of rain or snow.

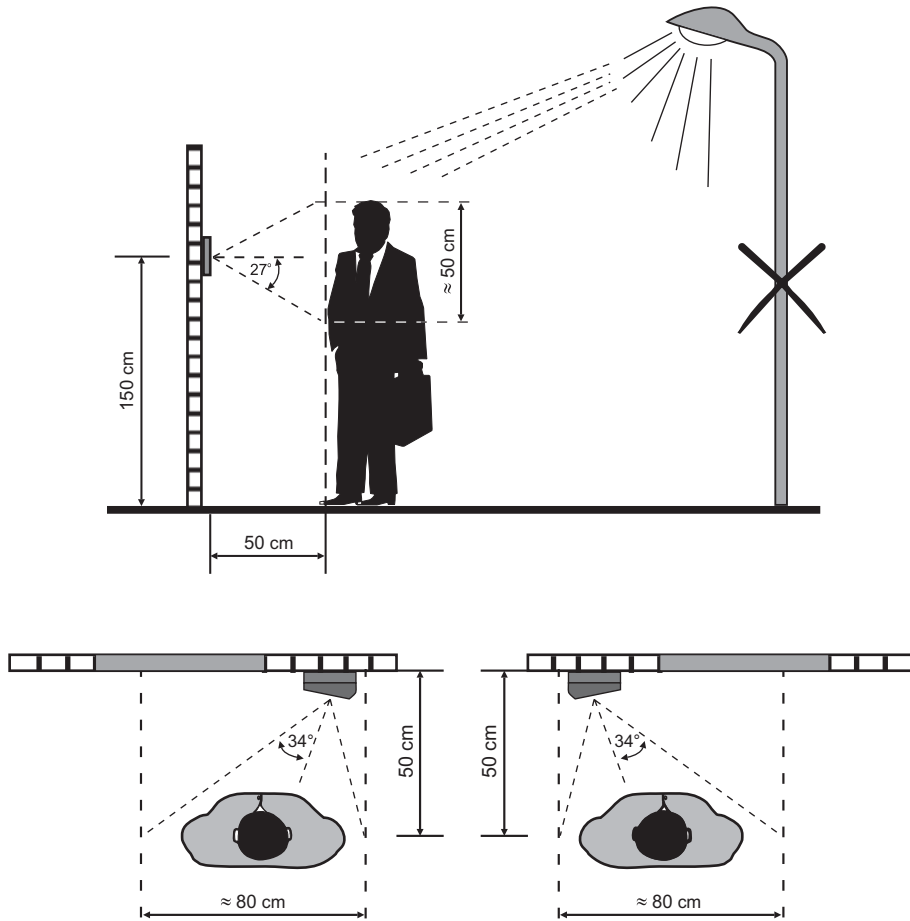


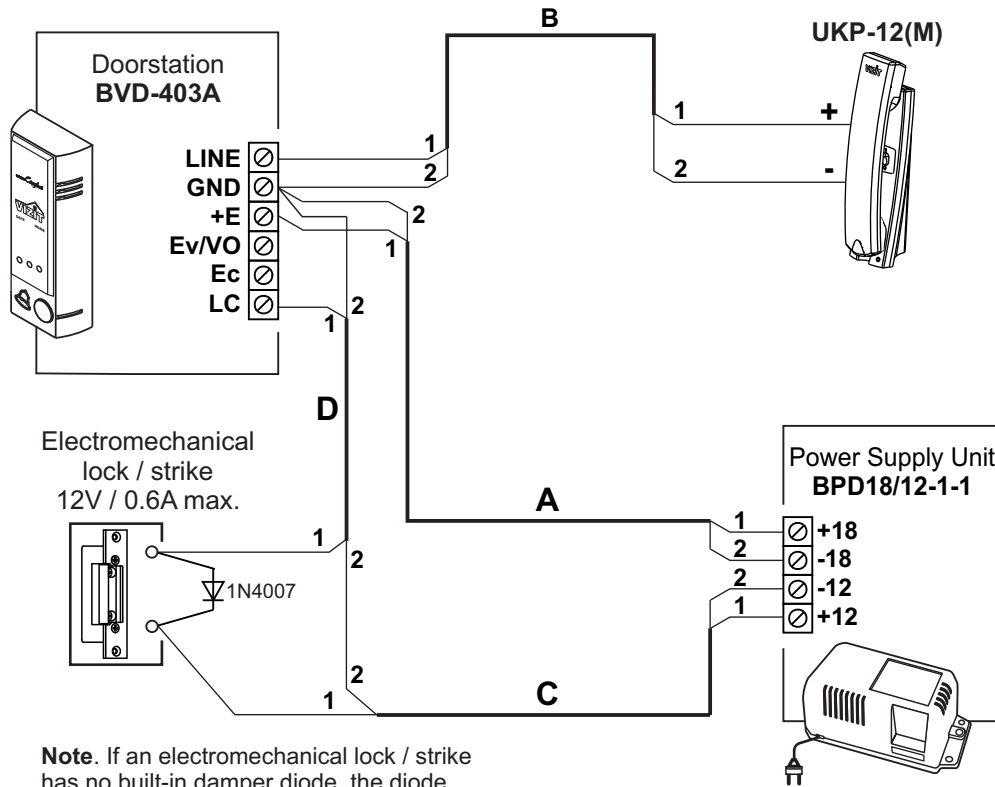
Figure 5 - Recommended doorstation position and camera field of view

Wiring diagrams for doorphone / video doorphone are shown in the section **EXAMPLES OF WIRING DIAGRAMS**.

Use copper wires for connections in accordance with the recommended lengths and cross-sections given in the section **EXAMPLES OF WIRING DIAGRAMS**.

To reduce possibility of external noises influencing image, use 75-Ohm coaxial cable for video circuits.

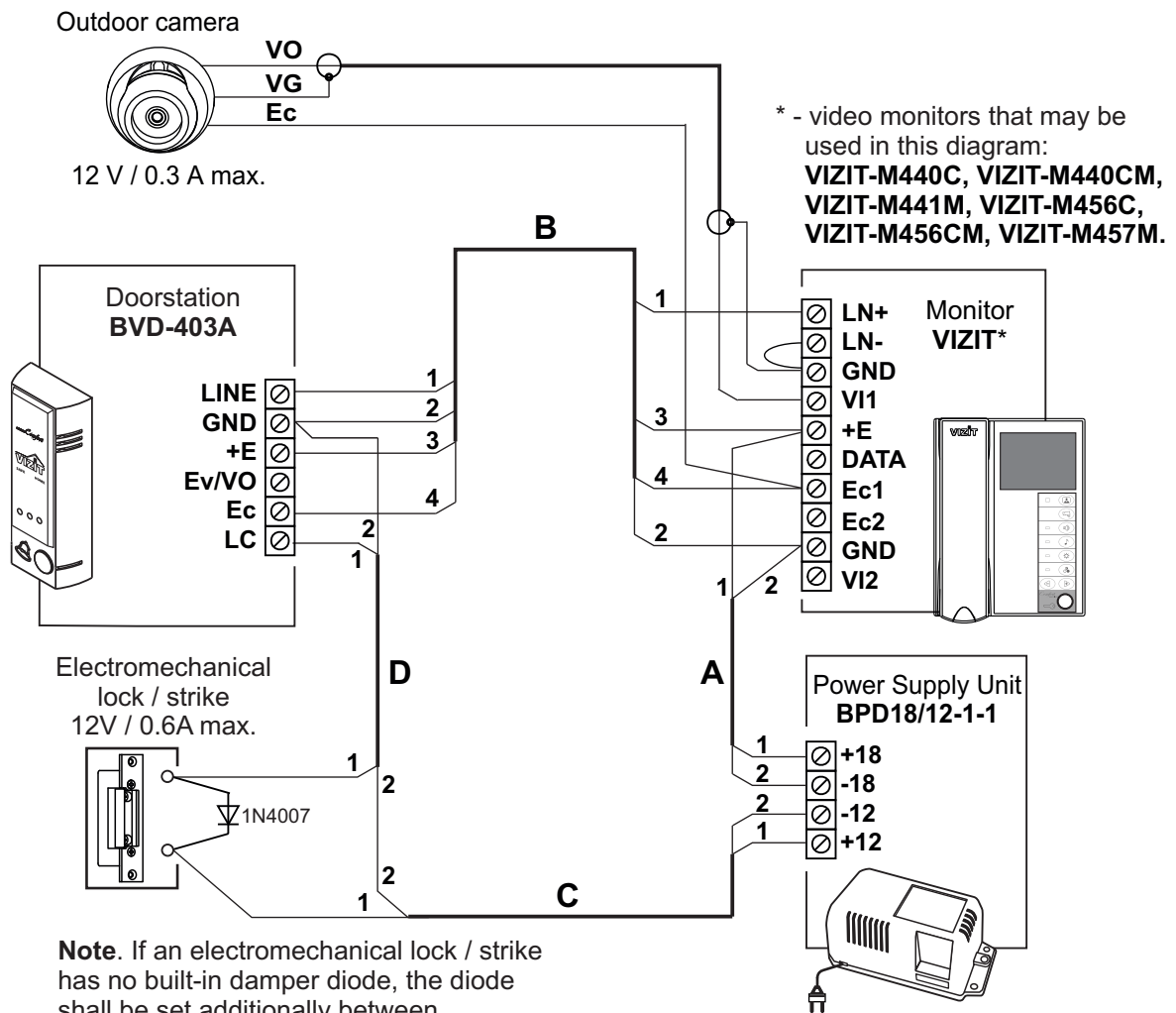
EXAMPLES OF WIRING DIAGRAMS



Note. If an electromechanical lock / strike has no built-in damper diode, the diode shall be set additionally between terminals of the lock /strike as shown in the diagram.

Wire	Length, m		
	25	50	100
A	0.2	0.4	0.8
B	0.2	0.4	0.8
C+D	0.4	0.8	1.5
Cross-section, mm ²			

Figure 6 - Doorstation **BVD-403A** with Apartment Handset **UKP-12(M)**, Power Supply Unit **BPD18/12-1-1** and electromechanical lock /strike

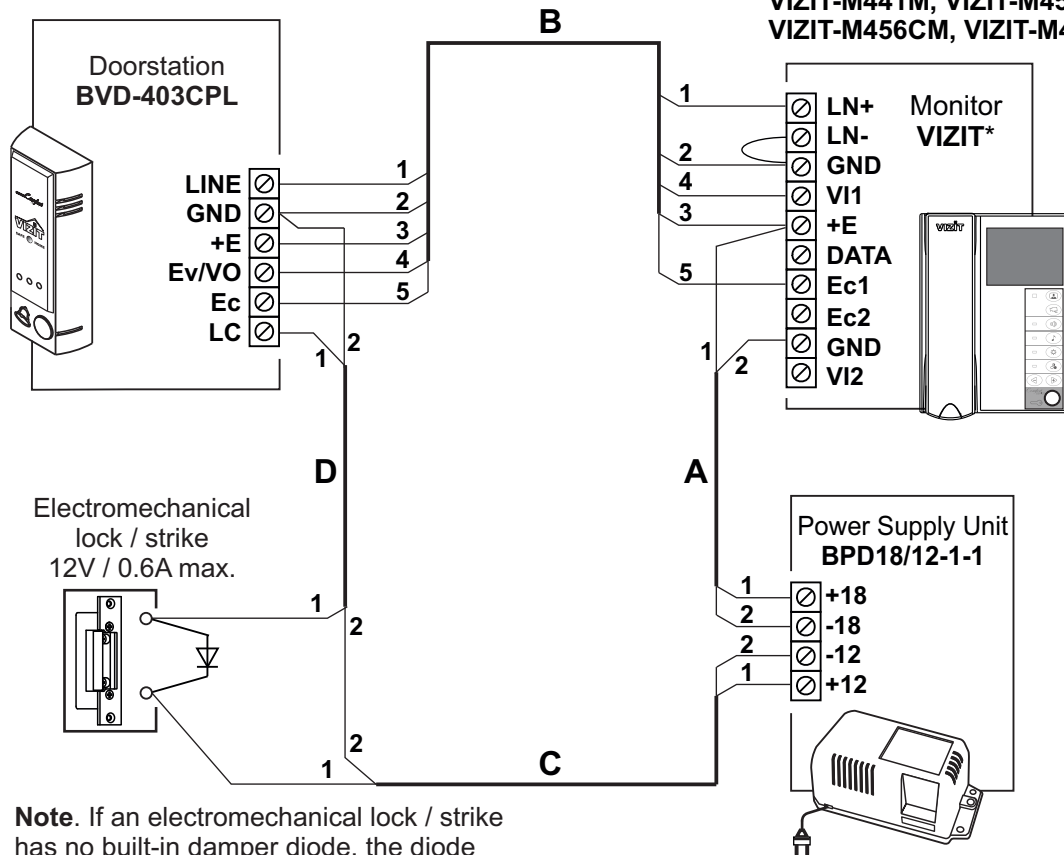


Note. If an electromechanical lock / strike has no built-in damper diode, the diode shall be set additionally between terminals of the lock /strike as shown in the diagram.

Wire	Length, m		
	25	50	100
A+B	0.2	0.4	0.8
C+D	0.4	0.8	1.5
Cross-section, mm ²			

Figure 7 - Doorstation **BVD-403A** with outdoor camera, Video Monitor **VIZIT**, Power Supply Unit **BPD18/12-1-1** and electromechanical lock /strike

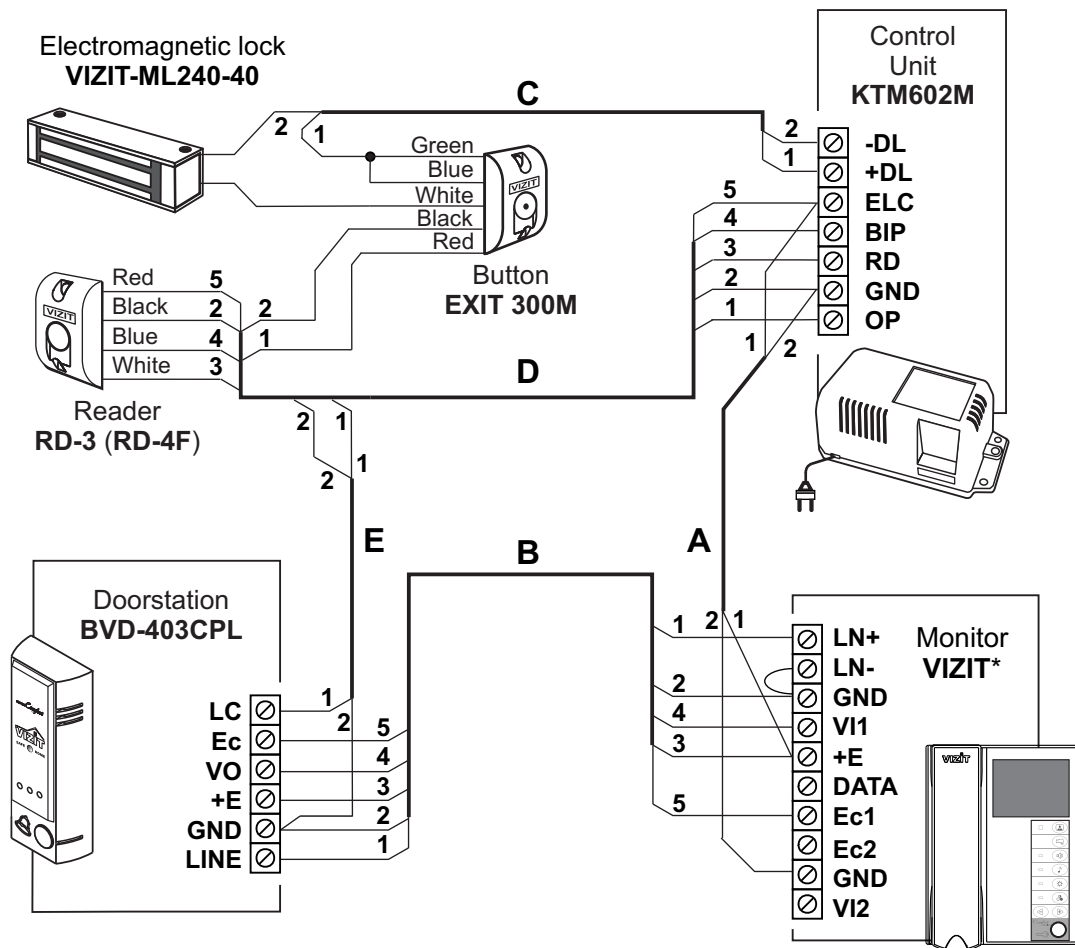
* - video monitors that may be used in this diagram:
**VIZIT-M440C, VIZIT-M440CM,
 VIZIT-M441M, VIZIT-M456C,
 VIZIT-M456CM, VIZIT-M457M.**



Note. If an electromechanical lock / strike has no built-in damper diode, the diode shall be set additionally between terminals of the lock /strike as shown in the diagram.

Wire	Length, m		
	25	50	100
A+B	0.2	0.4	0.8
C+D	0.4	0.8	1.5
Cross-section, mm ²			

Figure 8 - Doorstation **BVD-403CPL** with Video Monitor **VIZIT**, Power Supply Unit **BPD18/12-1-1** and electromechanical lock /strike



* - video monitors that may be used in this diagram:
VIZIT-M440C, VIZIT-M440CM, VIZIT-M441M, VIZIT-M456C, VIZIT-M456CM, VIZIT-M457M.

Wire	Length, m	
	25	50
A+B	0.2	0.4
C	0.4	0.8
D+E	0.2	0.4
Cross-section, mm ²		

Figure 9 - Doorstation **BVD-403CPL** with RF Controller **VIZIT-KTM602R (VIZIT-KTM602F)**, Video Monitor **VIZIT**, Electromagnetic Lock **VIZIT-ML240-40** and Button **EXIT 300M**

FUNCTIONAL CHECK AND OPERATING ORDER

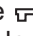


Before switching the power on, verify all electric connections.

Turn the power supply unit on.

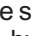
To make a call to the subscriber, press the CALL button on the doorstation. A call sound is ringing both in the monitor (apartment handset) and doorstation, while the CALL button remains pressed. Image appears on the monitor's screen.

Pick up the handset and check duplex intercom.

Check image on the monitor's screen. Adjust image brightness, contrast and saturation, if needed.

Press the  on the monitor (apartment handset) to release the door lock. The doorstation produces a beep, and the lock stays released while the  button remains pressed. Release the  button to return to the intercom mode.

Hang up the handset. The system goes to the stand-by mode.

Note. When called, the subscriber can press the  button to release the door lock without picking up the handset. The system goes to the stand-by mode after the button is released.

Intercom is available within **(60 ± 5)** seconds after picking up the handset.

If the handset is not picked up in 60 seconds, the system returns to the stand-by mode automatically.

The subscriber can activate door zone video monitoring at any time. For details please refer to the operating instruction on your monitor.

During video monitoring the subscriber can also activate duplex intercom by picking up the handset. The system will return to the stand-by mode with hanging up the handset, or automatically in 60 seconds.

SPECIFICATIONS

Operating voltage:	16...25 VDC
Power consumption:	3 W Max
Dimensions (W)x(H)x(D):	51 x 151 x 40 mm
Weight:	0.3 kg
Weight with package:	0.4 kg

The built-in camera parameters (BVD-403CPL) are given below:

Camera Parameters	
Lens	Pinhole
Angle of view (diagonal)	90°
Scanning system	CCIR
Colour system	PAL
Resolution	700 TVL
Minimal illumination	0 Lux (IR LED ON, 0.5 m range)
Day-Night feature	YES
Output voltage	1 Vp-p at 75 Ohm

OPERATING CONDITIONS

Ambient temperature range:

- BVD-403A

- 40°C to + 45°C

- BVD-403CPL

- 30°C to + 45°C

Relative humidity of air:

up to **98%** at **25°C**